



JS PUMP

# SUS Series



## SUS Sewage Pumps

Ideal for corrosive municipal, industrial and commercial sewage with suspended solids.

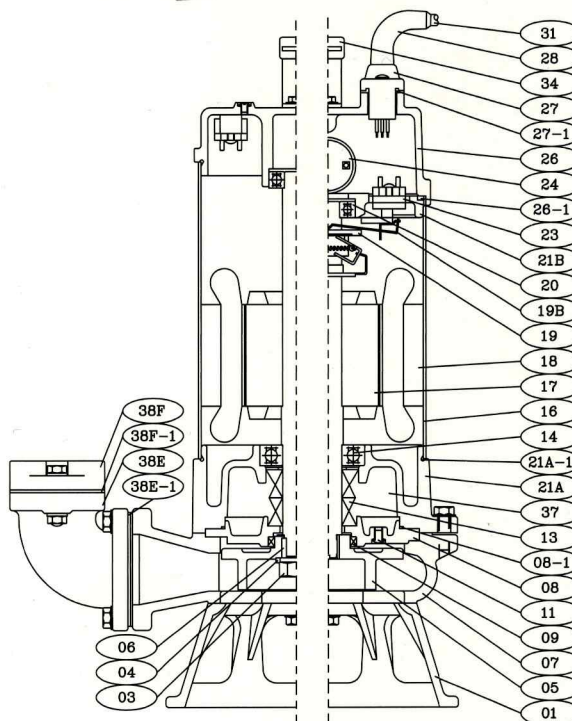
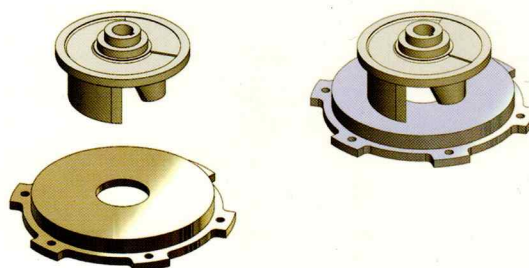
Corrosion resistant 316 stainless steel sewage pumps with non-clog single channel impeller. All exposed wet parts are made of 316 stainless steel. Elastomers and O-rings are made of Viton. Slide rail kits available for easier and safer pumps maintenance.

### Construction Material

- Double mechanical seals.
- Class F motor insulation.
- Shaft sleeve saves on shaft wear due to abrasives and corrosion.
- Additional lip seal protection keeps impurities and abrasives away from the mechanical seals.
- Thermal overload protection guards against high amperage and high temperature.
- Enhanced cable entry sealing system.



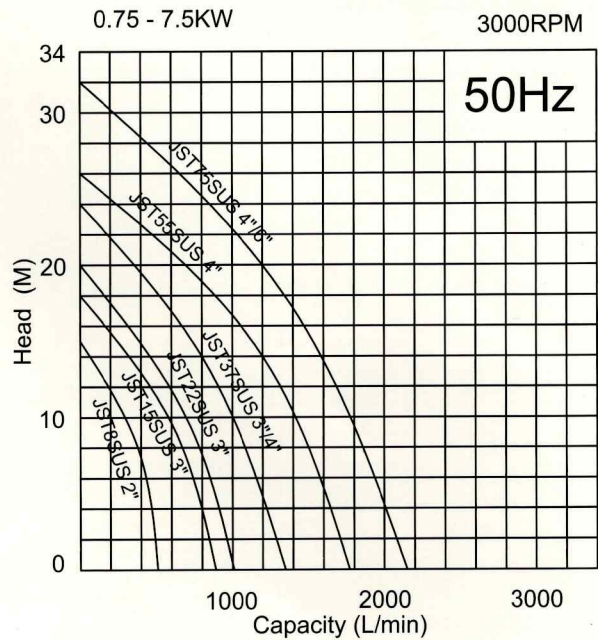
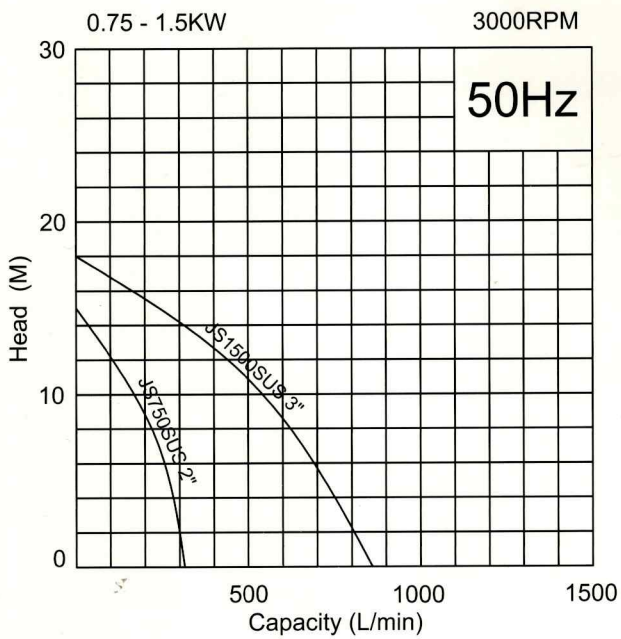
NO.	DESCRIPTION	MATERIAL
01	STAND	SUS 316
03	NUT	SUS 316
04	WASHER	SUS 316
05	IMPELLER	SUS 316
06	KEY	SUS 316
07	PUMP HOUSING	SUS 316
08	OIL CHAMBER	SUS 316
08-1	ORING	VITON
09	LIP SEAL (LOWER)	VITON
11	PLUGS	SUS 316
13	MECHANICAL SEAL	SIC / CAR
14	BEARING (BOTTOM)	
16	MOTOR CASING	SUS 316
17	ROTOR SHAFT	SUS 316
18	STATOR	H-23
19	GOVERNOR SWITCH	
19B	GOVERNOR SWITCH PLATE	
20	BEARING (UP)	
21A	MOTOR BOTTOM COVER	SUS 316
21A-1	ORING	VITON
21B	MOTOR UPPER COVER	FC 200
23	OVERLOAD PROTECTOR	
24	CONDENSER	
26	UPPER COVER	SUS 316
26-1	ORING	VITON
27	CABLE GLAND	
27-1	GASKET	VITON
28	RUBBER SLEEVE	NBR
31	CABLE	PVC
34	HANDLE	SUS 316
37	OIL	T-32
38E	ELBOW	SUS 316
38E-1	GASKET	
38F	FLANGE	SUS 316
38F-1	GASKET	

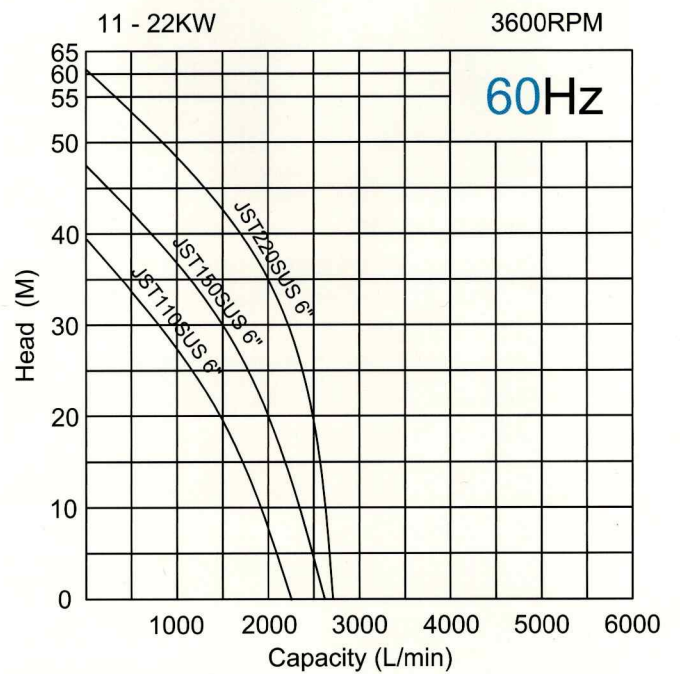
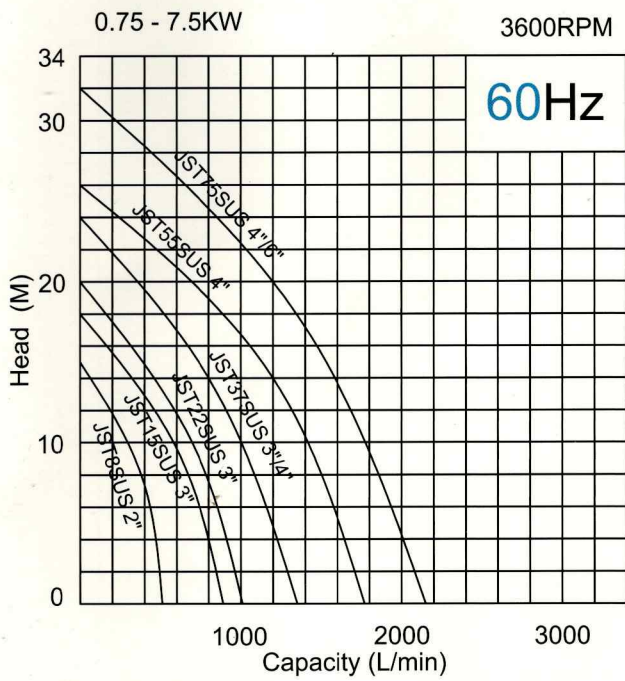
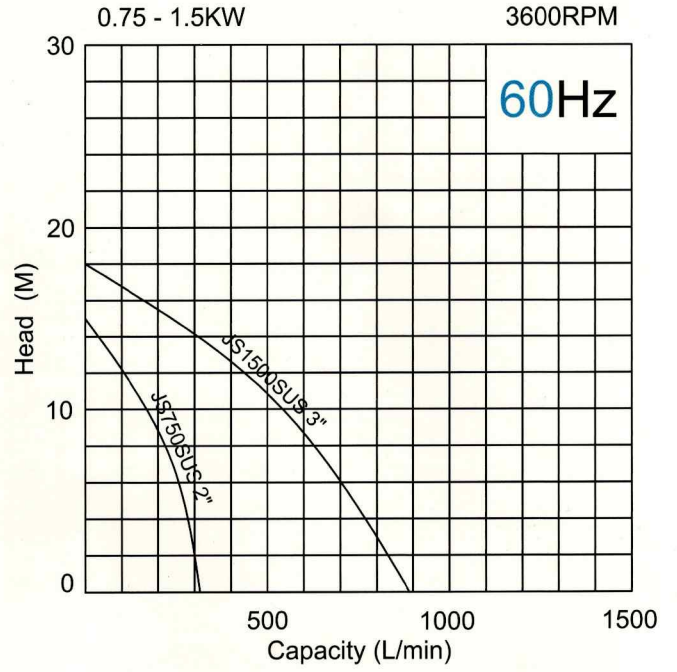
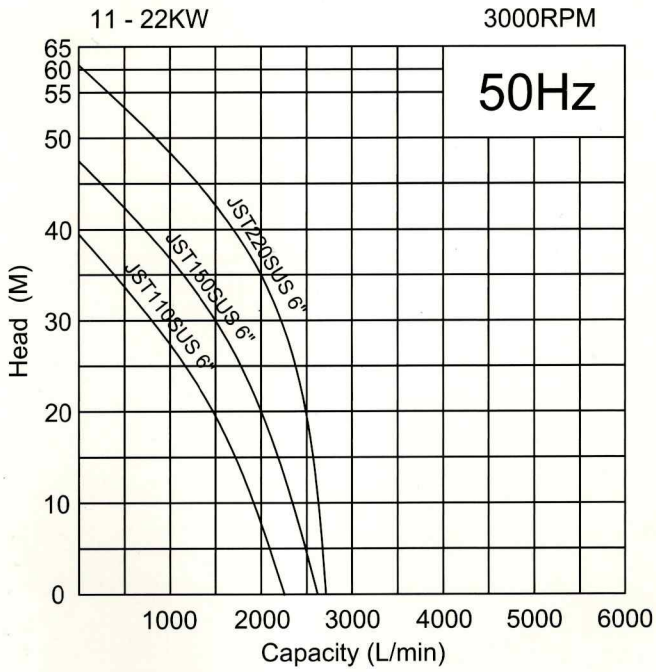


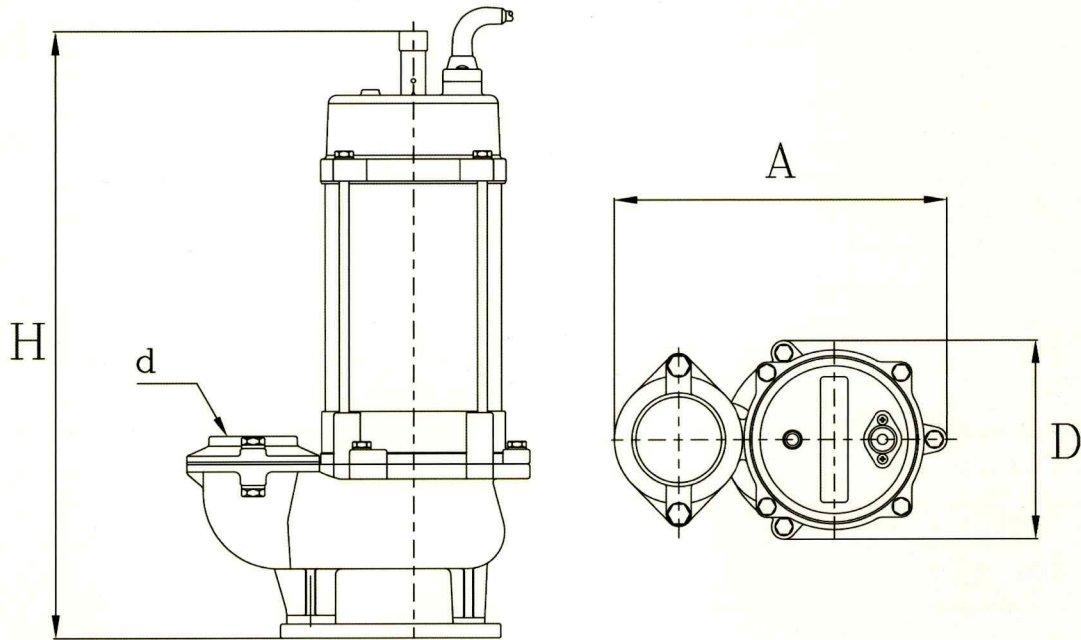
# SUS Performance Curve

50/60

Pump Type	Output KW	Output HP	Discharge Inch	Voltage	Max			Cable M	Weight kg
					Head M	Capacity L/Min	Solid mm		
JST750SUS	0.75	1	2	1 phase 100V-240V	15/15	315/315	21/21	10	27
JS1500SUS	1.5	2	3		18/18	860/860	44/40	10	36
JST8SUS	0.75	1	2	3 phase 200V-600V	15/15	310/310	21/21	10	25
JST15SUS	1.5	2	3		18/18	895/895	44/40	10	33
JST22SUS	2.2	3	3		20/20	1010/1010	44/40	10	41
JST37SUS	3.7	5	3 or 4		24/24	1350/1350	35/44	10	46.5
JST55SUS	5.5	7.5	4		26.5/26.5	1770/1770	55/55	10	100
JST75SUS	7.5	10	4 or 6		32.5/32.5	2150/2150	55/55	10	105
JST110SUS	11	15	6		39.5/39.5	2255/2255	55/55	10	115
JST150US	15	25	6		47.5/47.5	2615/2615	25/25	10	160
JST220SUS	22	30	6		61/61	2710/2710	25/25	10	185







Dimensions

(mm)

PUMP TYPE	DISCHARGE BORE	PUMP SECTION		
	d	A	D	H
JS100SV	1 <sup>1</sup> / <sub>4</sub> "(32)	165	120	290
JS150SV	1 <sup>1</sup> / <sub>4</sub> "(32)	165	120	305
JS250SV	1 <sup>1</sup> / <sub>2</sub> "(40)	215	145	395
JS400SV	2"(50)	215	145	410
JS750SV	2"(50)	228	153	430
JST750SV	3"(80)	280	170	495
JS1500SV	3"(80)	395	195	600
JST4SV	2"(50)	215	135	390
JST8SV	2"(50)	228	153	446
JST8SV	3"(80)	280	170	435
JST15SV	3"(80)	395	195	515
JST22SV	3"(80)	430	255	590
JST37SV	3"(80)	430	255	670