



JS PUMP

SV4 Series

SV4 Vortex Pumps

Raw sewage, sludge, trash, viscous liquids, debris

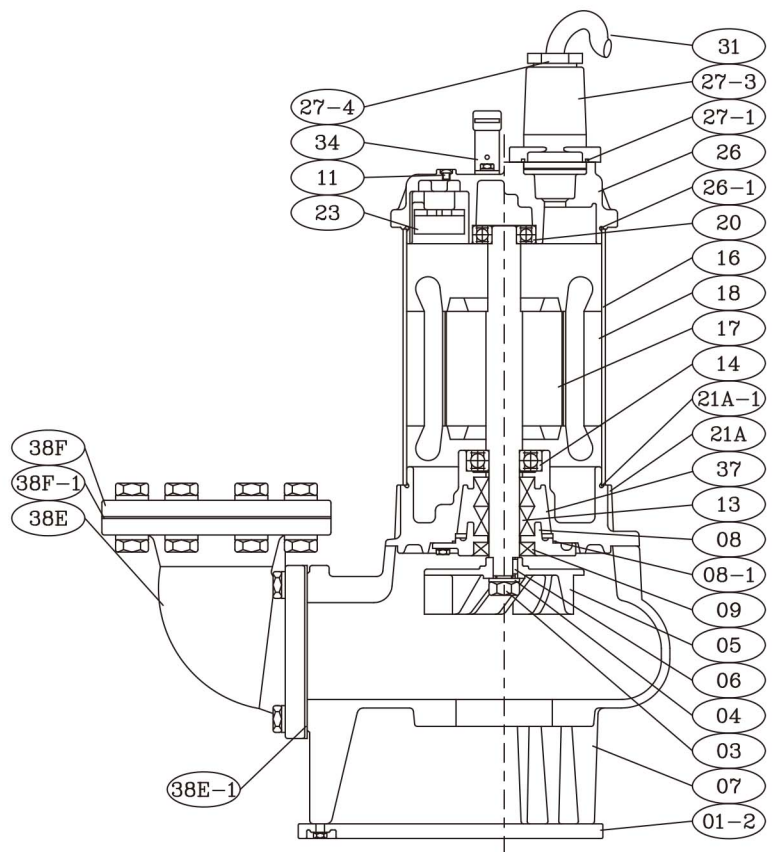
4 pole vortex pumps constructed with non-clog vortex impeller and wide volute casing to handle problematic solids and materials. 4 pole motor speed allows longer wear life on wear parts and higher flow. Slide rail kits available for easier and safer pumps maintenance.

Construction Material

- Double mechanical seals.
- Class F motor insulation.
- Shaft sleeve saves on shaft wear due to abrasives and corrosion.
- Additional lip seal protection keeps impurities and abrasives away from the mechanical seals.
- Thermal overload protection guards against high amperage and high temperature.
- Enhanced cable entry sealing system.

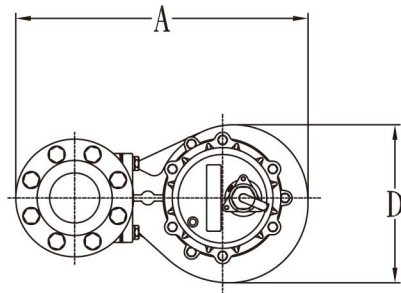
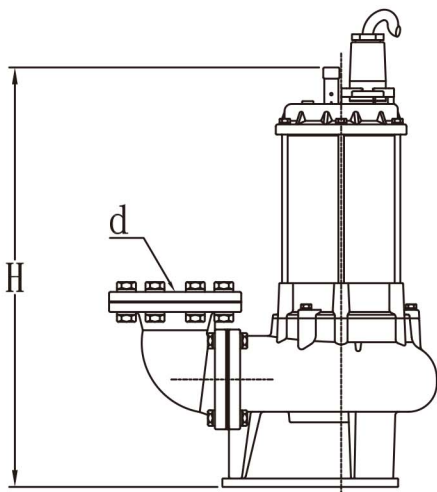
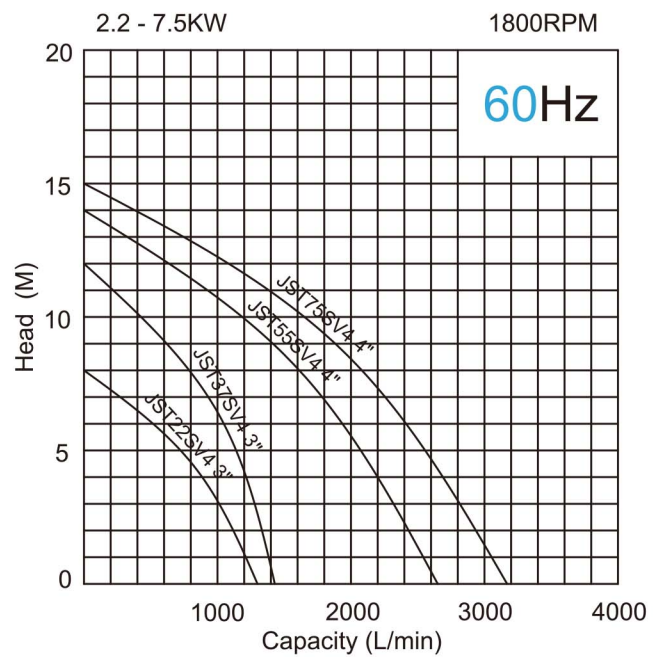
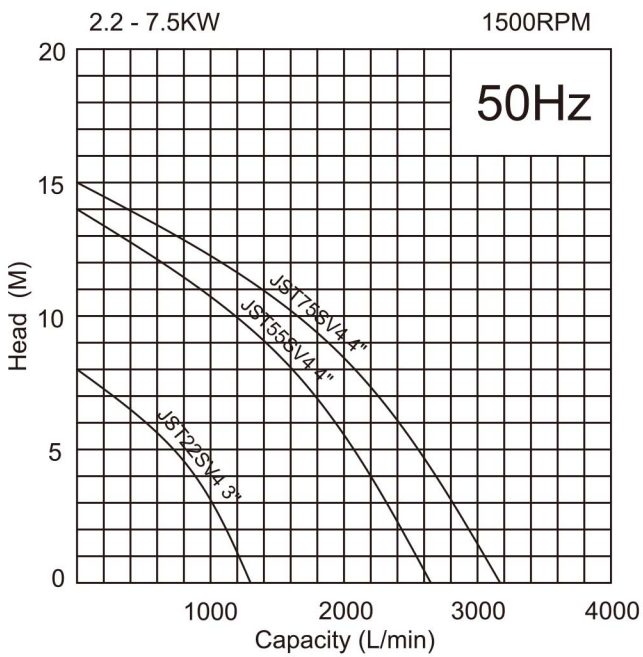


NO.	DESCRIPTION	MATERIAL
01-2	BOTTOM PLATE	FC 200
03	NUT	SUS 304
04	WASHER	SUS 304
05	IMPELLER	FCD 400
06	KEY	SUS 304
07	PUMP HOUSING	FCD 400
08	OIL CHAMBER COVER	FC 200
08-1	ORING	NBR
09	LIP SEAL (BOTTOM)	NBR
11	PLUGS	SUS 304
13	MECHANICAL SEAL	
14	BEARING (BOTTOM)	
16	MOTOR CASING	SUS 304
17	ROTOR SHAFT	SUS 304
18	STATOR	
20	BEARING (UP)	
21A	MOTOR BOTTOM COVER	FC 200
21A-1	ORING	NBR
23	OVERLOAD PROTECTOR	
26	UPPER COVER	FC 200
26-1	ORING	NBR
27-1	ORING	NBR
27-3	CABLE GLAND COVER	FCD 400
27-4	COMPRESSION NUT	ST
31	CABLE	PVC
34	HANDLE	SUS 304 + NBR
37	OIL	T-32
38E	ELBOW	FC 200
38E-1	GASKET	NBR
38F	FLANGE	FC 200
38F-1	GASKET	NBR



SV4 Performance Curve

Pump Type	Output KW	Output HP	Discharge Inch	Voltage	Max			Cable M	Weight kg
					Head M	Capacity L/min	Solid mm		
JST22SV4	2.2	3	3	3 phase 200V-600V	8	1300	80	10	70
JST37SV4	3.7	5	3		12	1430	80	10	70
JST55SV4	5.5	7.5	4		14	2650	100	10	125
JST75SV4	7.5	10	4		15.5	3175	100	10	135



Dimensions

(mm)

PUMP TYPE	DISCHARGE BORE	PUMP SECTION		
	d	A	D	H
JST22SV4	3"(80)	470	255	600
JST37SV4	3"(80)	470	255	650
JST55SV4	4"(100)	660	315	765
JST75SV4	4"(100)	660	315	825