

KB Slurry pumps

Mine & sites dewatering, dams drainage, settling basins, retention ponds

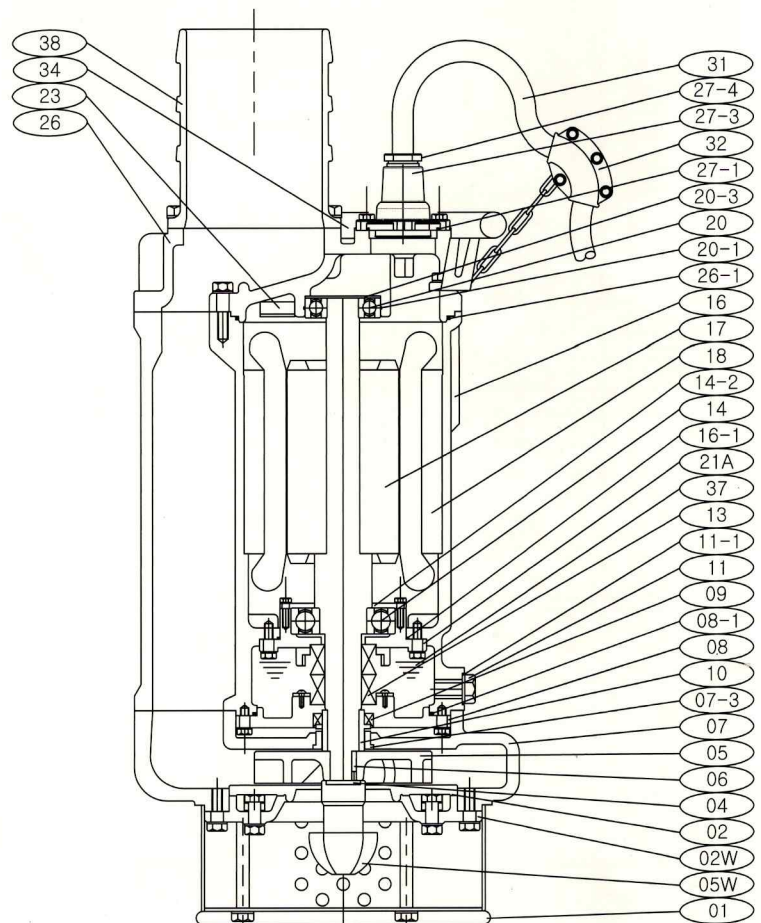
Top discharge heavy duty dewatering pumps developed for pumping sand and light slurry. The impeller and suction wear plate are made of abrasive resistant high chrome iron. Some models are available in High Head construction to meet required performance.

Construction Material

- Abrasive resistant high chrome iron impeller suction wear plate.
- Built in agitator helps to swirl up solids before discharging.
- Double mechanical seals in a separate oil chamber.
- Class H motor insulation.
- Shaft sleeve saves on shaft wear due to abrasives and corrosion.
- Additional lip seal protection keeps impurities and abrasives away from the mechanical seals.
- Thermal overload protection guards against high amperage and high temperature.
- Enhanced cable entry sealing system.



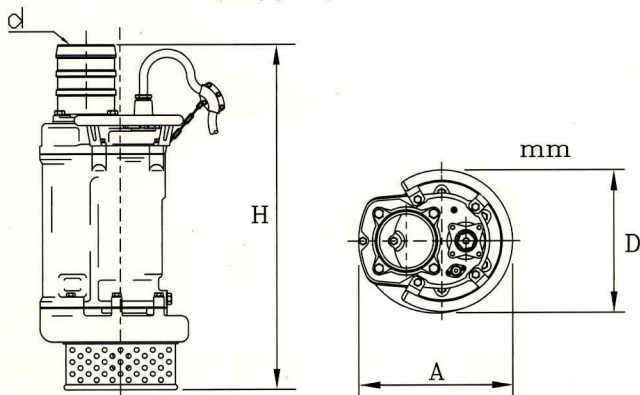
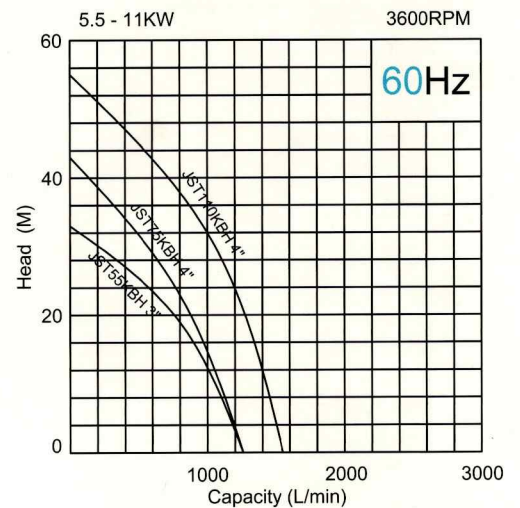
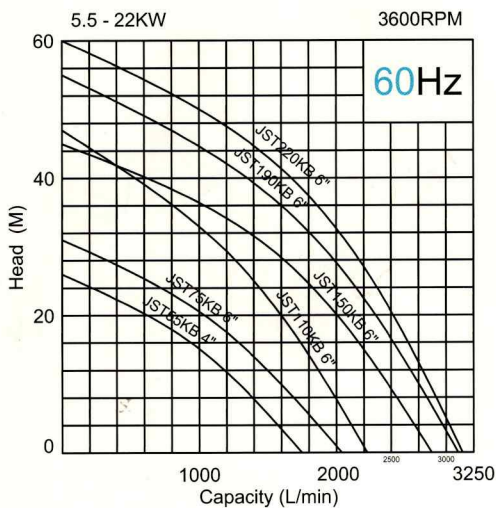
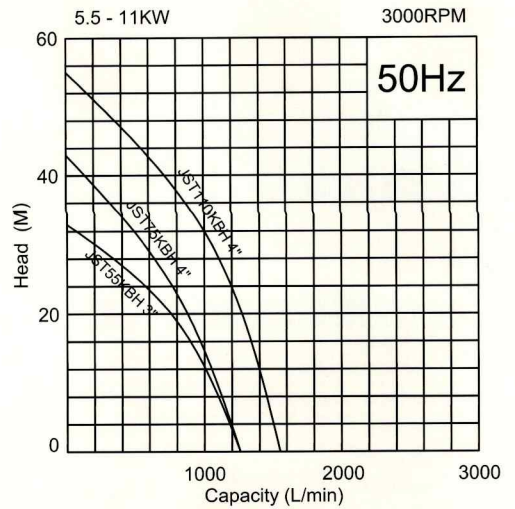
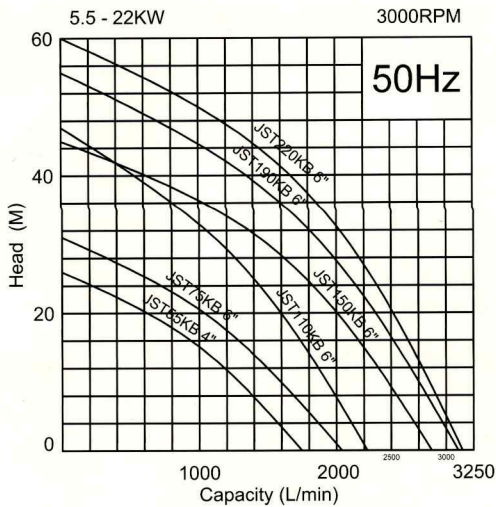
NO.	DESCRIPTION	MATERIAL
01	STRAINER	ST
02	SUCTION COVER	HICR
02W	SUCTION COVER HOLDER	FC 200
04	WASHER	SUS 304
05	IMPELLER	HICR
05W	AGITATOR	FCD 400
06	KEY	SUS 304
07	PUMP HOUSING	FCD 400
07-3	PUMP HOUSING SLEEVE	SKD11
08	COVER OF OIL CHAMBER	FC 200
08-1	ORING	NBR
09	LIP SEAL (BOTTOM)	NBR
10	SHAFT SLEEVE	SKD11
11	PLUGS	SUS 304
11-1	ORING	NBR
13	MECHANICAL SEAL	
14	BEARING (BOTTOM)	
14-2	BEARING COVER	FCD 400
16	MOTOR CASING	FC 200
16-1	ORING	NBR
17	ROTOR SHAFT	SUS 410
18	STATOR	
20	BEARING (UP)	
20-1	ORING	NBR
20-3	WASHER ROOFING	
21A	MOTOR BOTTOM COVER	FC 200
23	OVERLOAD PROTECTOR	
26	UPPER COVER	FC 200
26-1	ORING	NBR
27-1	ORING	NBR
27-3	CABLE GLAND COVER	FCD 400
27-4	COMPRESSION NUT	ST
31	CABLE	PVC
32	CABLE CLAMPS	FCD 400
34	HANDLE	FCD 400
37	OIL	T-32
38	DISCHARGE OUTLET	FC 200



KB Performance Curve

50/60

Pump Type	Output KW	Output HP	Discharge Inch	Voltage	Max			Cable M	Weight kg
					Head M	Capacity L/Min	Solid mm		
JST55KB	5.5	7.5	4	3 phase 200V-600V	26/26	1755/1755	10	10	115
JST55KBH	5.5	7.5	3		33/33	1260/1260	10	10	120
JST75KB	7.5	10	6		31.5/31.5	2055/2055	10	10	125
JST75KBH	7.5	10	4		43/43	1265/1265	10	10	130
JST110KB	11	15	6		47/47	2280/2280	10	10	145
JST110KBH	11	15	4		55/55	1545/1545	10	10	150
JST150KB	15	20	6		45.5/45.5	2870/2870	10	10	250
JST190KB	19	25	6		55.5/55.5	3110/3110	10	10	255
JST220KB	22	30	6		60.5/60.5	3145/3145	10	10	260



Dimensions

(mm)

PUMP TYPE	DISCHARGE BORE	PUMP SECTION		
	d	A	D	H
JST55KBH	3"(80)	350	345	720
JST55KB	4"(100)	350	345	750
JST75KBH	4"(100)	370	345	795
JST75KB	6"(150)	370	345	825
JST110KBH	4"(100)	370	345	860
JST110KB	6"(150)	370	345	890
JST150KB	6"(150)	540	365	1002
JST190KB	6"(150)	540	365	1002
JST220KB	6"(150)	540	365	1062