

Dimensions (mm)

PUMP TYPE	DISCHARGE BORE	PUMP SECTION		
	d	A	D	H
JS250SS	1½”(40)	200	148	338
JS400SS	2”(50)	215	148	383
JS750SS	2”(50)	251	190	477
JS1500SS	3”(80)	289	190	512
JS1500HSS	2”(50)	289	190	512
JST8SS	2”(50)	251	190	414
JST15SS	3”(80)	289	190	440
JST15HSS	2”(50)	289	190	440
JST22SS	3”(80)	313	220	503
JST22HSS	2”(50)	313	220	503
JST37SS	3”(80)	313	220	518
JST37SS	4”(100)	313	220	518
JST37HSS	2”(50)	313	220	518
JST55SS	4”(100)	572	270	639
JST55HSS	3”(80)	572	270	639
JST75SS	6”(150)	647	270	692
JST75HSS	4”(100)	572	270	692
JST110SS	6”(150)	647	270	692
JST110HSS	6”(150)	647	270	692
JST150SS	6”(150)	690	310	880
JST190SS	6”(150)	690	310	880
JST220SS	6”(150)	690	310	880



SS Dewatering Pumps

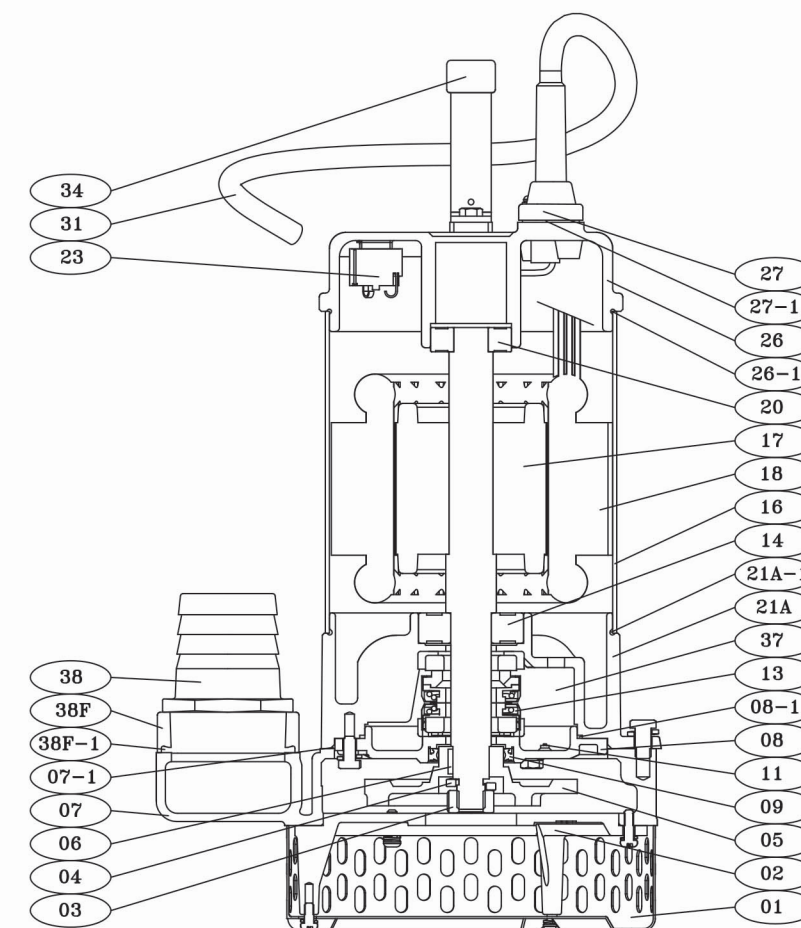
Effluent wastewater, corrosive liquids, chemical sumps

Corrosion resistant 316 stainless steel dewatering pumps. All exposed wet parts are made of 316 stainless steel. Elastomers and O-rings are made of Viton. Some models are available in High Head construction to meet required performance. Slide rail kits available for easier and safer pumps maintenance.

Construction Material

- Double mechanical seals.
- Class F motor insulation.
- Shaft sleeve saves on shaft wear due to abrasives and corrosion.
- Additional lip seal protection keeps impurities and abrasives away from the mechanical seals.
- Thermal overload protection guards against high amperage and high temperature.
- Enhanced cable entry sealing system.

NO.	DESCRIPTION	MATERIAL
01	STRAINER	SUS 316
02	SUCTION COVER	SUS 316
03	NUT	SUS 316
04	WASHER	SUS 316
05	IMPELLER	SUS 316
06	KEY	SUS 316
07	PUMP HOUSING	SUS 316
07-1	ORING	VITON
08	OIL CHAMBER COVER	SUS 316
08-1	ORING	VITON
09	LIP SEAL (BOTTOM)	VITON
11	PLUGS	SUS 316
13	MECHANICAL SEAL	
14	BEARING (BOTTOM)	
16	MOTOR CASING	SUS 316
17	ROTOR SHAFT	SUS 316
18	STATOR	
20	BEARING (UP)	
21A	MOTOR BOTTOM COVER	SUS 316
21A-1	ORING	VITON
23	OVERLOAD PROTECTOR	
26	UPPER COVER	SUS 316
26-1	ORING	VITON
27	CABLE GLAND	SUS 316
27-1	ORING	VITON
31	CABLE	PVC
34	HANDLE	
37	OIL	T-32
38	OUTLET	PP
38F	FLANGE	SUS 316
38F-1	GASKET	VITON



SS Performance Curve

Pump Type	Output KW	Output HP	Discharge Inch	Voltage	Max			Cable M	Weight kg
					Head M	Capacity L/min	Solid mm		
JS250SS	0.25	0.34	1½	1 phase 100V-240V	9.5	200	6	10	11
JS400SS	0.4	0.5	2		11.5	240	6	10	12.5
JST750SS	0.75	1	2		16	295	6	10	23
JS1500SS	1.5	2	3		18	485	6	10	31
JS1500HSS	1.5	2	2		25	440	6	10	31
JST8SS	0.75	1	2	3 phase 200V-600V	16	295	6	10	23.5
JST15SS	1.5	2	3		17	465	6	10	30.5
JST15HSS	1.5	2	2		23	415	6	10	30
JST22SS	2.2	3	3		21	780	10	10	40
JST22HSS	2.2	3	2		25	600	10	10	39
JST37SS	3.7	5	3 or 4		24	965	10	10	43
JST37HSS	3.7	5	2		32	745	10	10	45
JST55SS	5.5	7.5	4		26	1920	10	10	95
JST55HSS	5.5	7.5	3		33.5	1365	10	10	95
JST75SS	7.5	10	6		35.5	2065	10	10	100
JST75HSS	7.5	10	4		41	1300	10	10	100
JST110SS	11	15	6		45	2140	10	10	110
JST110HSS	11	15	6		60	1470	10	10	110
JST150SS	15	20	6		47.5	2615	10	10	160
JST190SS	19	25	6		53.5	2790	10	10	175
JST220SS	22	30	6	61	2710	10	10	185	

