



**JS PUMP**

# SV Series

## SV <sup>PKJ</sup> Vortex Pumps

Raw sewage, sludge, trash, septic effluent, greywater, viscous liquids

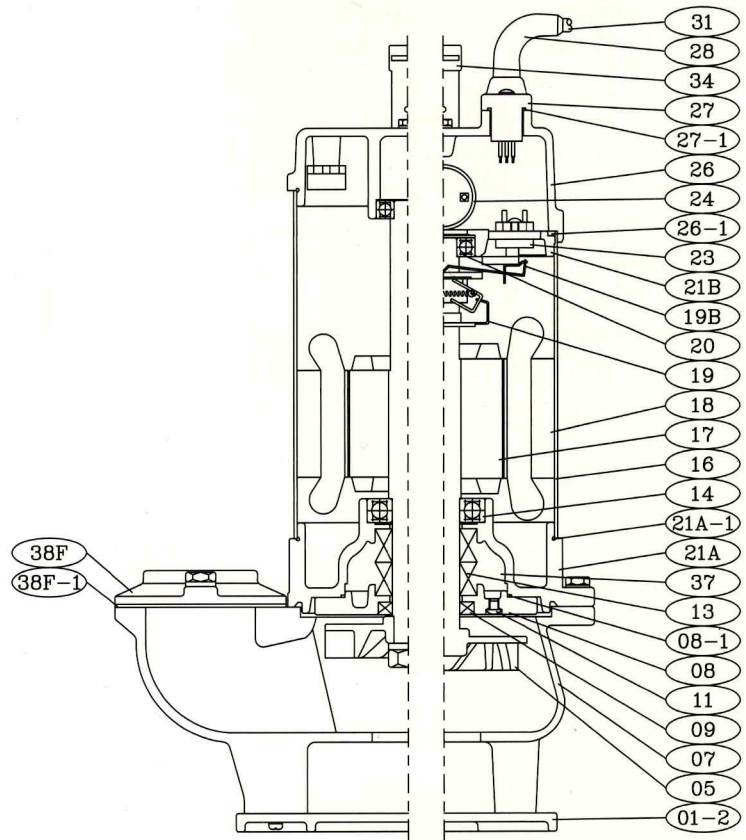
The SV series effectively transfers suspended solids through the use of its vortex impeller and wide volute casing. Vortex flow and large passage allows minimum contact between pumped solids and impeller and offers less pump blockage. Slide rail kits available for easier and safer pumps maintenance.

### Construction Material

- Double mechanical seals (0.25kw and above).
- Class F motor insulation.
- Shaft sleeve saves on shaft wear due to abrasives and corrosion.
- Additional lip seal protection keeps impurities and abrasives away from the mechanical seals.
- Thermal overload protection guards against high amperage and high temperature.
- Enhanced cable entry sealing system.



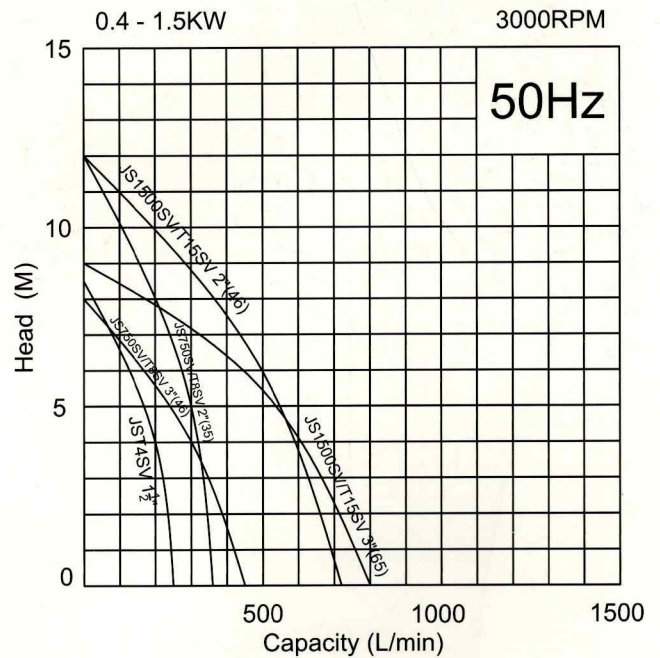
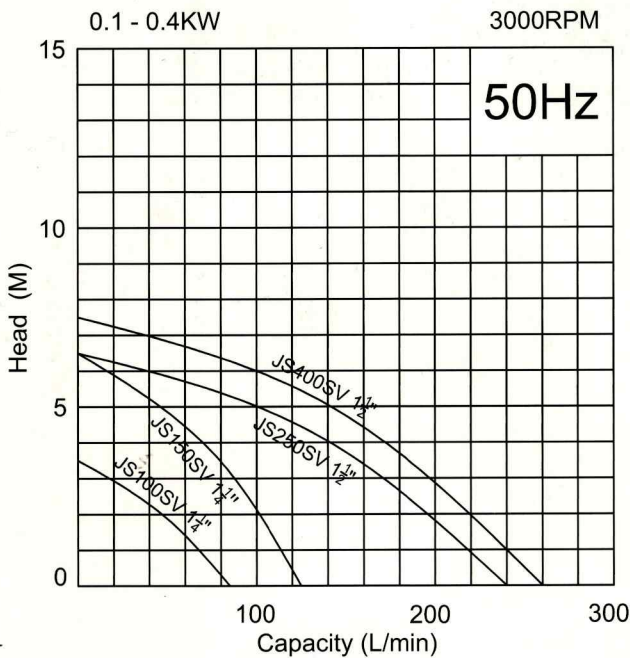
NO.	DESCRIPTION	MATERIAL
01-2	BOTTOM PLATE	FC 200
05	IMPELLER	FCD 400
07	PUMP HOUSING	FC 200
08	OIL CHAMBER COVER	FC 200
08-1	ORING	NBR
09	LIP SEAL (BOTTOM)	NBR
11	PLUGS	SUS 304
13	MECHANICAL SEAL	
14	BEARING (BOTTOM)	
16	MOTOR CASING	SUS 304
17	ROTOR SHAFT	SUS 304
18	STATOR	
19	GOVERNOR SWITCH	
19B	GOVERNOR SWITCH PLATE	
20	BEARING (UP)	
21A	MOTOR BOTTOM COVER	FC 200
21A-1	ORING	NBR
21B	MOTOR UPPER COVER	FC 200
23	OVERLOAD PROTECTOR	
24	CONDENSER	
26	UPPER COVER	FC 200
26-1	ORING	NBR
27	CABLE GLAND	
27-1	ORING	NBR
28	RUBBER SLEEVE	NBR
31	CABLE	PVC
34	HANDLE	
37	OIL	T-32
38F	FLANGE	FC 200
38F-1	GASKET	NBR

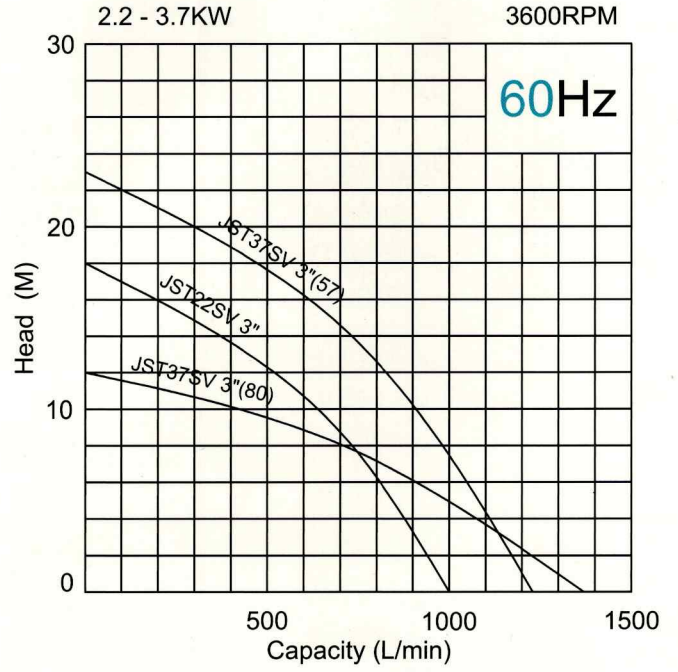
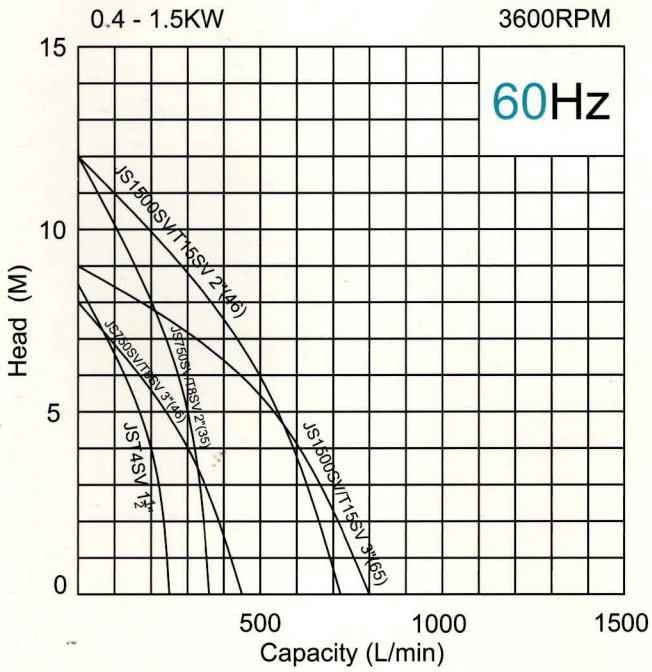
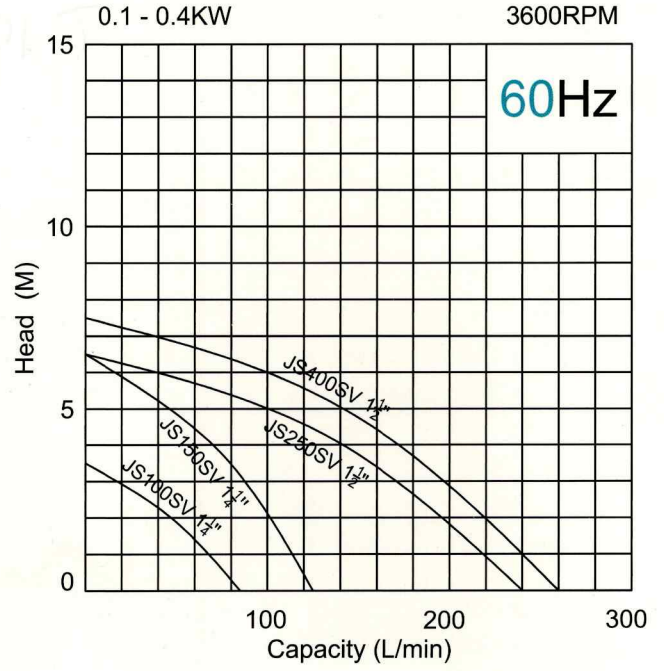
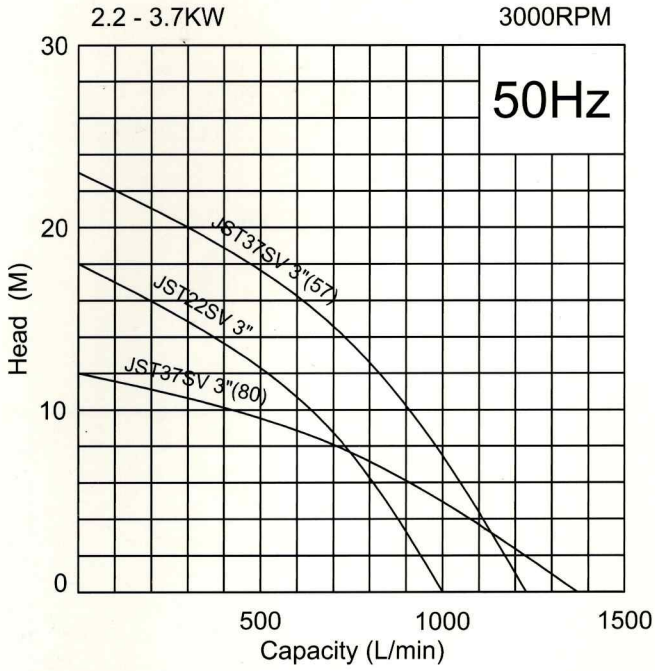


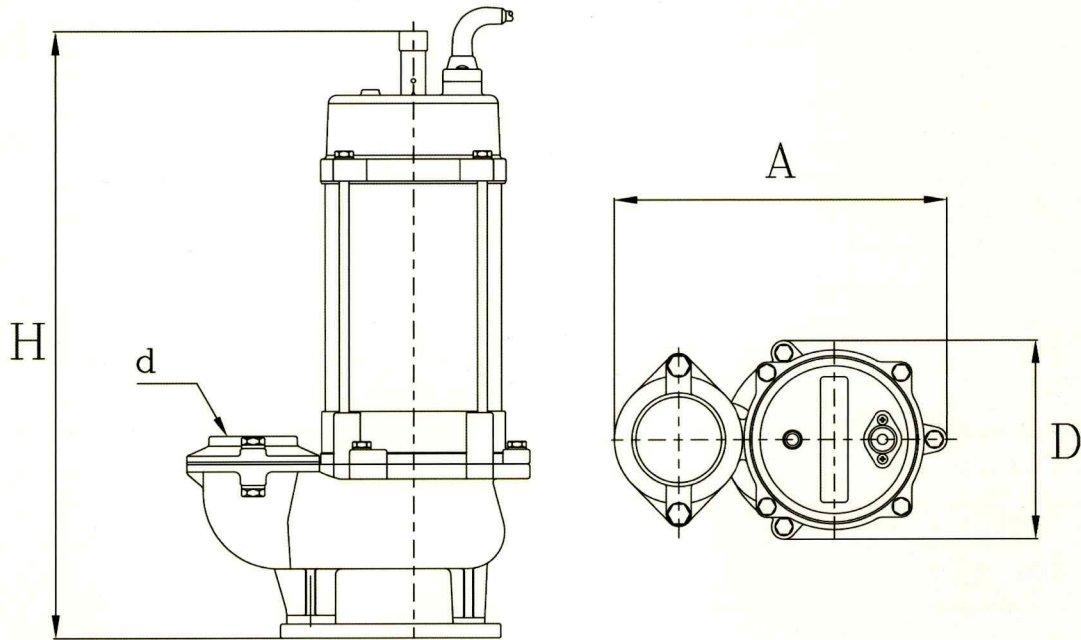
# SV Performance Curve

50/60

Pump Type	Output KW	Output HP	Discharge Inch	Voltage	Max			Cable M	Weight kg
					Head M	Capacity L/min	Solid mm		
JS100SV	0.1	0.14	1 $\frac{1}{4}$	1 phase 100V-240V	3.5/3.5	85/85	25	10	4.6
JS150SV	0.15	0.2	1 $\frac{1}{4}$		6.5/6.5	125/125	25	10	5.2
JS250SV	0.25	0.34	1 $\frac{1}{2}$		6.5/6.5	240/240	35	10	12.5
JS400SV	0.4	0.5	2		7.5/7.5	260/260	35	10	14
JS750SV	0.75	1	2		12/12	360/360	35	10	20
JS750SV	0.75	1	3		8/8	450/450	46	10	31
JS1500SV	1.5	2	3		12/12	720/720	46	10	42
JS1500SV	1.5	2	3		9/9	795/795	65	10	43
JST4SV	0.4	0.5	2	3 phase 200V-600V	8.5/8.5	250/250	35	10	12.5
JST8SV	0.75	1	2		12/12	360/360	35	10	19.8
JST8SV	0.75	1	3		8/8	450/450	46	10	29
JST15SV	1.5	2	3		12/12	720/720	46	10	40
JST15SV	1.5	2	3		9/9	795/795	65	10	41
JST22SV	2.2	3	3		18/18	1000/1000	57	10	51
JST37SV	3.7	5	3		23/23	1235/1235	57	10	55
JST37SV	3.7	5	3		12/12	1370/1370	80	10	70







Dimensions

(mm)

PUMP TYPE	DISCHARGE BORE	PUMP SECTION		
	d	A	D	H
JS100SV	1 <sup>1</sup> / <sub>4</sub> "(32)	165	120	290
JS150SV	1 <sup>1</sup> / <sub>4</sub> "(32)	165	120	305
JS250SV	1 <sup>1</sup> / <sub>2</sub> "(40)	215	145	395
JS400SV	2"(50)	215	145	410
JS750SV	2"(50)	228	153	430
JST750SV	3"(80)	280	170	495
JS1500SV	3"(80)	395	195	600
JST4SV	2"(50)	215	135	390
JST8SV	2"(50)	228	153	446
JST8SV	3"(80)	280	170	435
JST15SV	3"(80)	395	195	515
JST22SV	3"(80)	430	255	590
JST37SV	3"(80)	430	255	670