



JS PUMP

# S Series

## S Sewage Pumps

Ideal for municipal, industrial and commercial sewage with suspended solids.

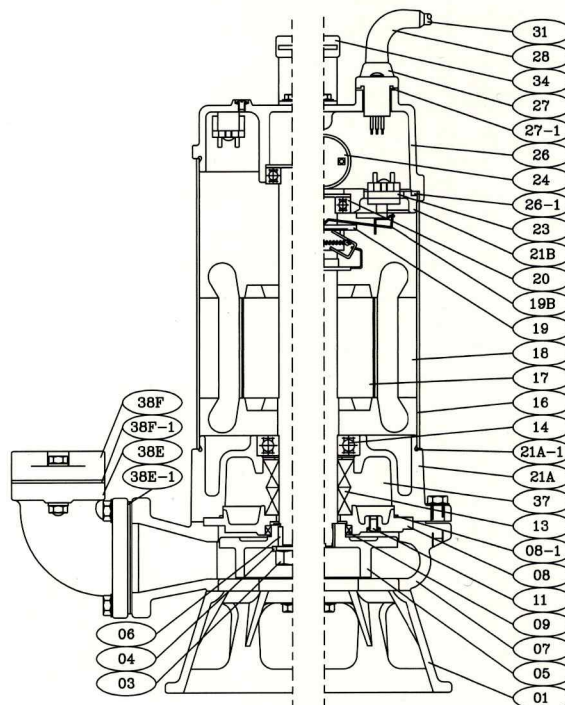
The S series features a non-clog single channel impeller designed for passing effluent with suspended solids. A great solids handling pump that delivers high lift and flow performance. Slide rail kits available for easier and safer pumps maintenance.

### Construction Material

- Double mechanical seals.
- Class F motor insulation.
- Shaft sleeve saves on shaft wear due to abrasives and corrosion.
- Additional lip seal protection keeps impurities and abrasives away from the mechanical seals.
- Thermal overload protection guards against high amperage and high temperature.
- Enhanced cable entry sealing system.



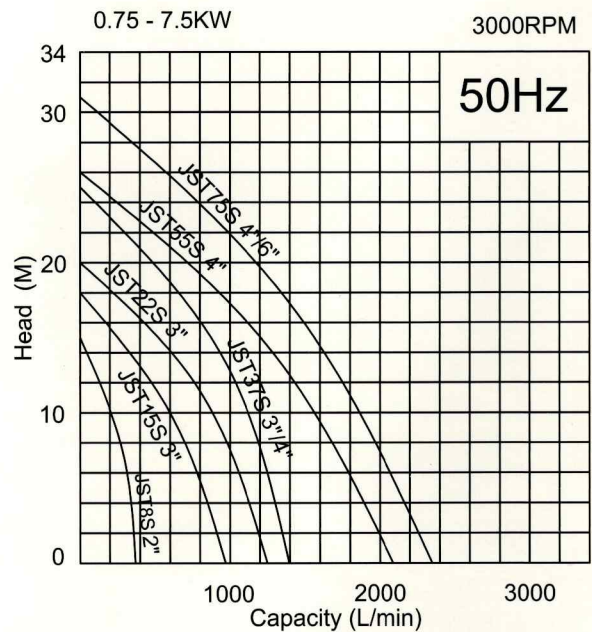
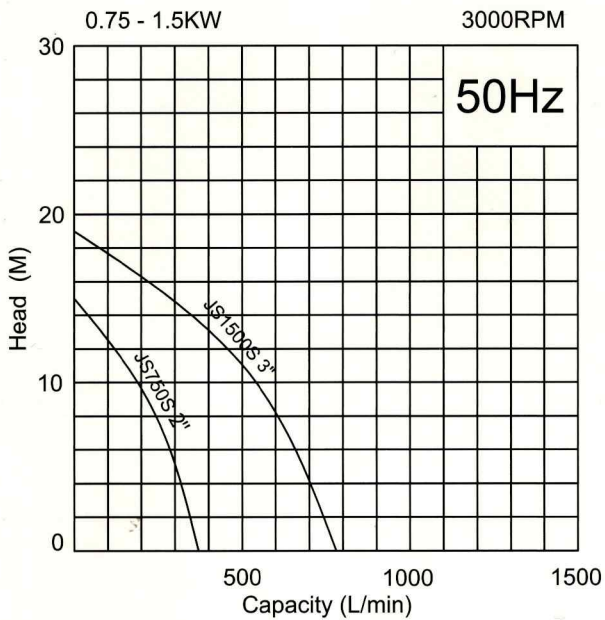
NO.	DESCRIPTION	MATERIAL
01	STAND	FCD 400
03	NUT	SUS 304
04	WASHER	SUS 304
05	IMPELLER	FCD 400
06	KEY	SUS 304
07	PUMP HOUSING	FC 200
08	OIL CHAMBER	FC 200
08-1	ORING	NBR
09	LIP SEAL (LOWER)	NBR
11	PLUGS	SUS 304
13	MECHANICAL SEAL	SIC / CAR
14	BEARING (BOTTOM)	
16	MOTOR CASING	SUS 304
17	ROTOR SHAFT	SUS 304
18	STATOR	H-23
19	GOVERNOR SWITCH	
19B	GOVERNOR SWITCH PLATE	
20	BEARING (UP)	
21A	MOTOR BOTTOM COVER	FC 200
21A-1	ORING	NBR
21B	MOTOR UPPER COVER	FC 200
23	OVERLOAD PROTECTOR	
24	CONDENSER	
26	UPPER COVER	FC 200
26-1	ORING	NBR
27	CABLE GLAND	
27-1	GASKET	NBR
28	RUBBER SLEEVE	NBR
31	CABLE	PVC
34	HANDLE	SUS 304
37	OIL	T-32
38E	ELBOW	FC 200
38E-1	GASKET	NBR
38F	FLANGE	FC 200
38F-1	GASKET	NBR

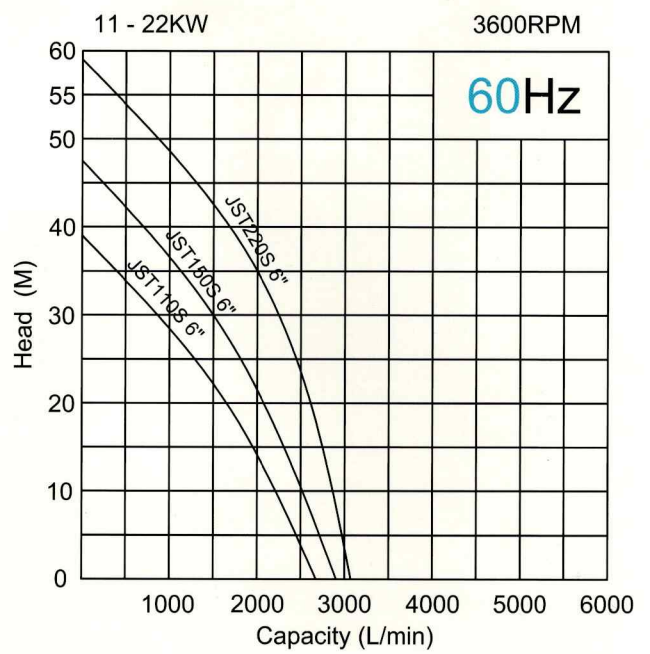
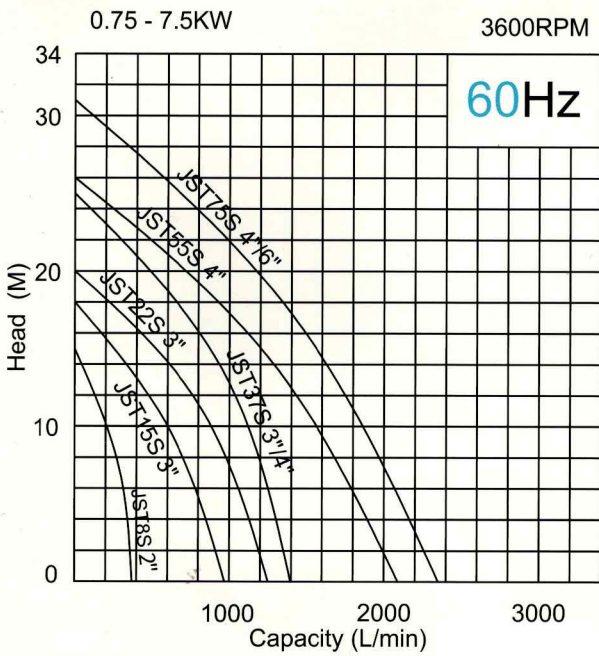
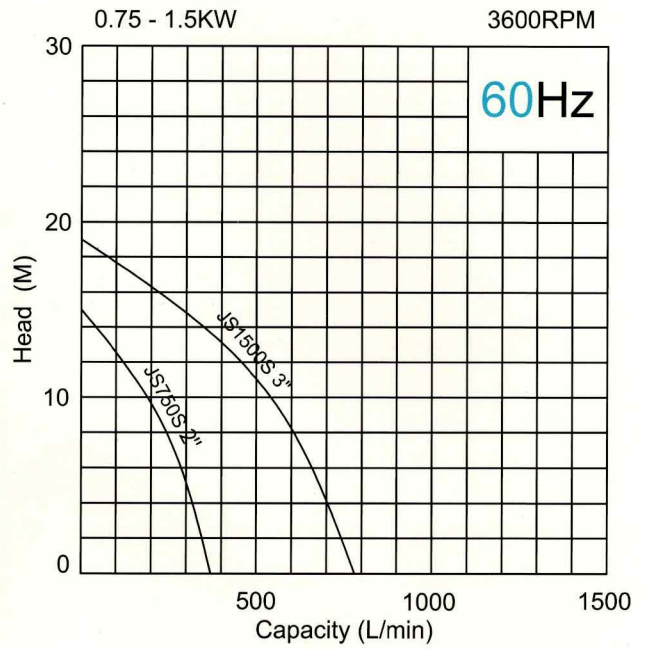
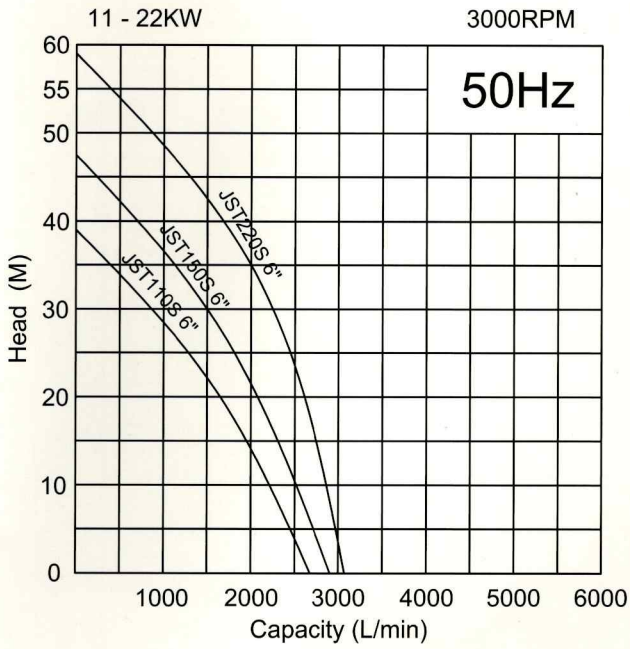


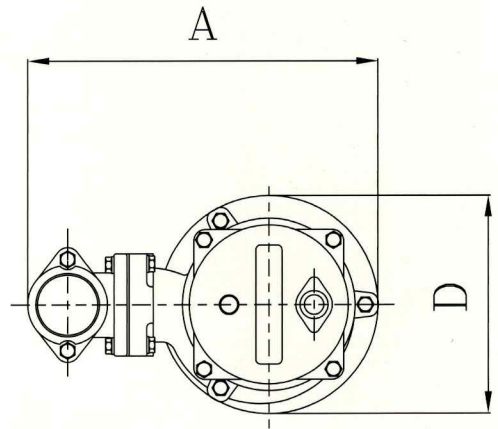
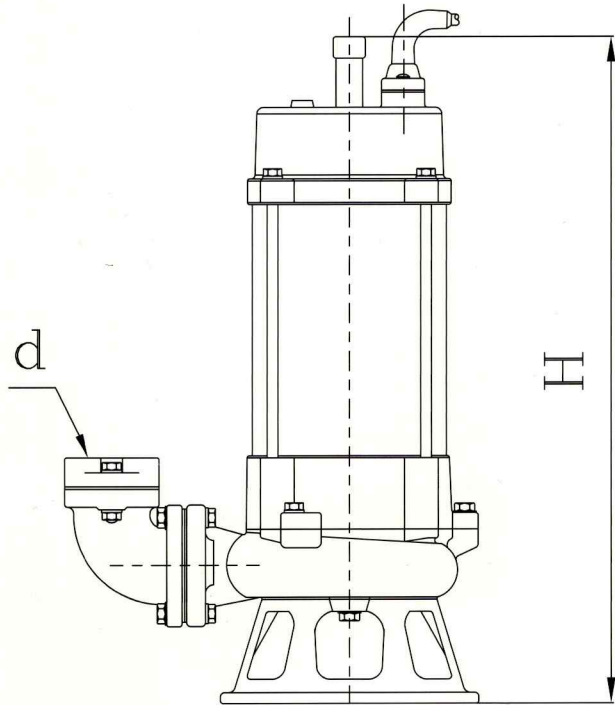
# S Performance Curve

## 50/60

Pump Type	Output KW	Output HP	Discharge Inch	Voltage	Max			Cable M	Weight kg
					Head M	Capacity L/min	Solid mm		
JST750S	0.75	1	2	1 phase 100V-240V	15/15	370/370	21/21	10	29
JS1500S	1.5	2	3		19/19	780/780	44/40	10	40
JST8S	0.75	1	2	3 phase 200V-600V	15/15	370/370	21/21	10	27
JST15S	1.5	2	3		18/18	970/970	44/40	10	37
JST22S	2.2	3	3		20/20	1250/1250	44/40	10	49
JST37S	3.7	5	3 or 4		25/25	1395/1395	35/44	10	54
JST55S	5.5	7.5	4		26/26	2090/2090	55/55	10	95
JST75S	7.5	10	4 or 6		30.5/30.5	2350/2350	55/55	10	100
JST110S	11	15	6		39/39	2675/2675	55/55	10	110
JST150S	15	25	6		47.5/47.5	2905/2905	25/25	10	170
JST220S	22	30	6		59/59	3070/3070	25/25	10	190







## Dimensions

(mm)

PUMP TYPE	DISCHARGE BORE	PUMP SECTION		
	d	A	D	H
JST750S	2"(50)	310	195	530
JST1500S	3"(80)	360	240	590
JST8S	2"(50)	310	195	465
JST15S	3"(80)	360	240	515
JST22S	3"(80)	400	240	560
JST37S	3"(80)	400	245	600
JST37S	4"(100)	450	245	600
JST55S	4"(100)	490	280	700
JST75S	4"(100)	490	280	770
JST75S	6"(150)	490	280	770
JST110S	6"(150)	690	310	880
JST150S	6"(150)	690	310	880
JST220S	6"(150)	690	310	880