



JS PUMP

# SK4SS Series



## SK4SS Shredder Pumps

Municipal, industrial and agricultural sewage in corrosive environments, dairy waste, trash, garbage, landfill leachate

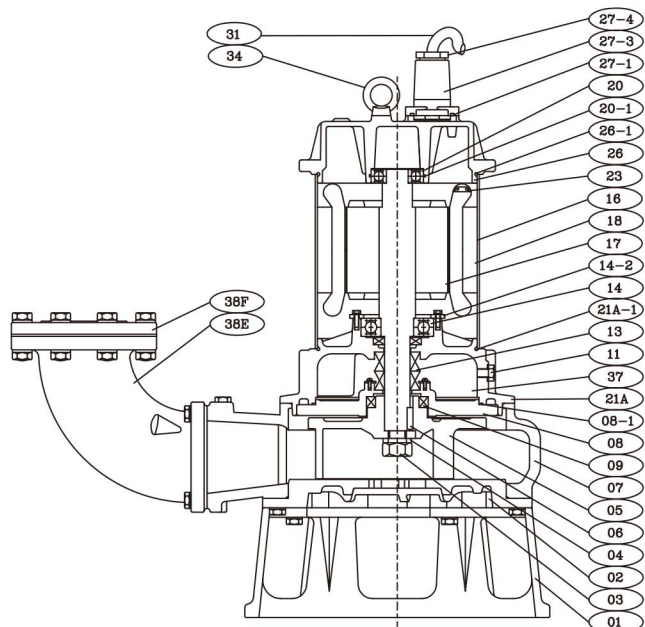
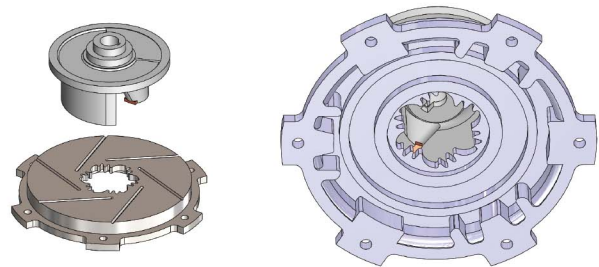
4 pole corrosion resistant 316 stainless steel shredder pumps. 4 pole motor speed allows longer wear life on wear parts and higher flow. All exposed wet parts are made of 316 stainless steel. Elastomers and O-rings are made of Viton. Slide rail kits available for easier and safer pumps maintenance.

### Construction Material

- Double mechanical seals.
- Class F motor insulation.
- Shaft sleeve saves on shaft wear due to abrasives and corrosion.
- Additional lip seal protection keeps impurities and abrasives away from the mechanical seals.
- Thermal overload protection guards against high amperage and high temperature.
- Enhanced cable entry sealing system.

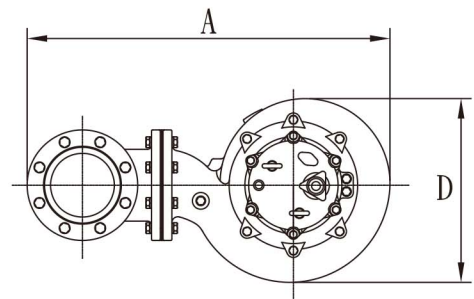
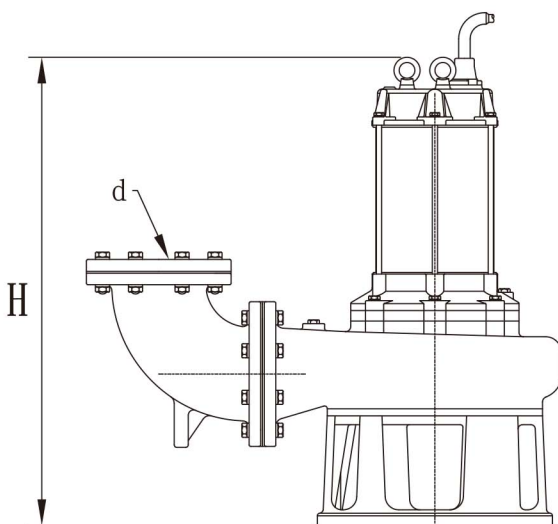
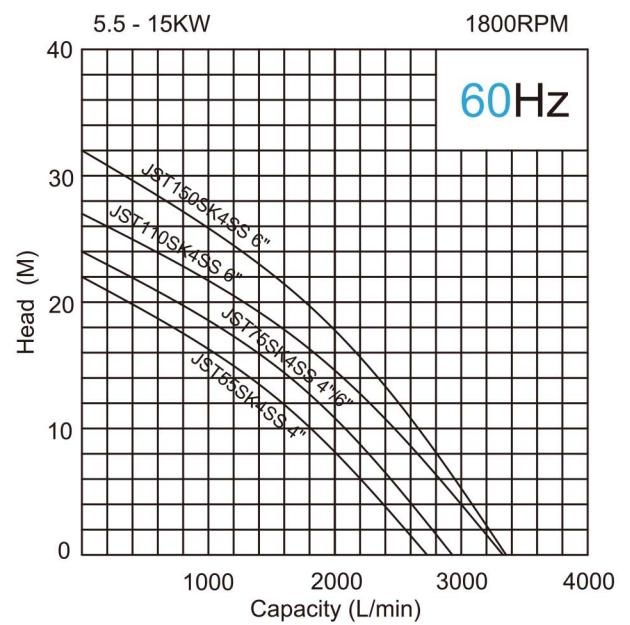
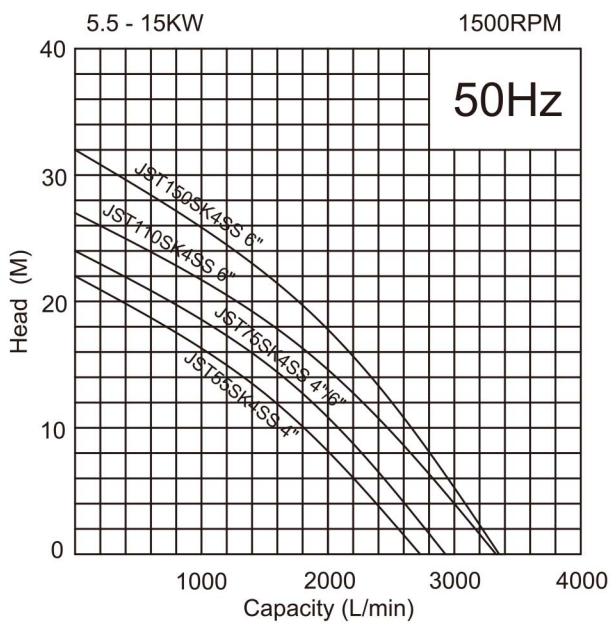


NO.	DESCRIPTION	MATERIAL
01	STRAINER	SUS 316
02	SUCTION COVER	SUS 316
03	NUT	SUS 316
04	WASHER	SUS 316
05	IMPELLER	SUS 316
06	KEY	SUS 316
07	PUMP HOUSING	SUS 316
08	COVER OF OIL CHAMBER	SUS 316
08-1	ORING	VITON
09	LIP SEAL (LOWER)	VITON
11	PLUGS	SUS 316
13	MECHANICAL SEAL	
14	BEARING (BOTTOM)	
14-2	BEARING COVER	FCD 400
16	MOTOR CASING	SUS 316
17	ROTOR SHAFT	SUS 316
18	STATOR	
20	BEARING (UP)	
20-1	ORING	VITON
21A	MOTOR BOTTOM COVER	SUS 316
21A-1	ORING	VITON
23	OVERLOAD PROTECTOR	
26	UPPER COVER	SUS 316
26-1	ORING	VITON
27-1	ORING	VITON
27-3	CABLE GLAND COVER	SUS 316
27-4	COMPRESSION NUT	SUS 316
31	CABLE	PVC
34	HANDLE	SUS 316
37	OIL	T-32
38E	ELBOW	SUS 316
38F	FLANGE	SUS 316



# SK4SS Performance Curve

Pump Type	Output KW	Output HP	Discharge Inch	Voltage	Max			Cable M	Weight kg
					Head M	Capacity L/min	Solid mm		
JST55SK4SS	5.5	7.5	4	3 phase 200V-600V	22	2730	60	10	150
JST75SK4SS	7.5	10	4 or 6		24	2935	60	10	165
JST110SK4SS	11	15	6		26.5	3330	50	10	225
JST150SK4SS	15	20	6		32	3355	55	10	240



Dimensions

(mm)

PUMP TYPE	DISCHARGE BORE	PUMP SECTION		
	d	A	D	H
JST55SK4SS	4"(100)	725	400	745
JST75SK4SS	4"(100)	725	400	795
JST75SK4SS	6"(150)	800	400	795
JST110SK4SS	6"(150)	910	480	900
JST150SK4SS	6"(150)	910	480	950