



SK4 Series

JS PUMP

SK4 Shredder Pumps

Municipal, industrial and agricultural sewage, dairy waste, trash, garbage

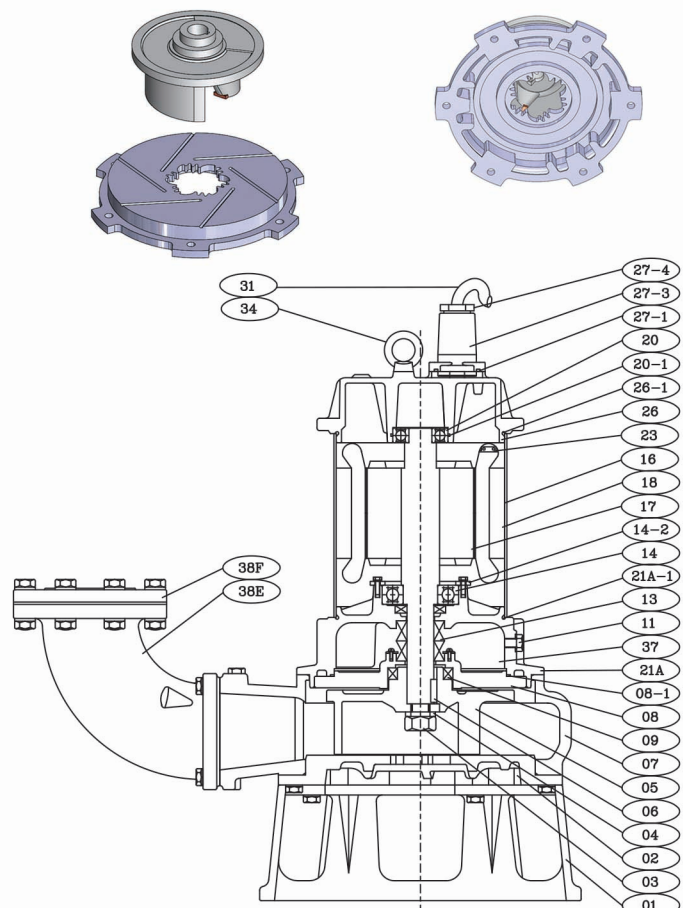
4 pole shredder pumps built with a shredder mechanism to tear and rip oversized solids and foreign matters to pieces. 4 pole motor speed allows longer wear life on wear parts and higher flow. Slide rail kits available for easier and safer pumps maintenance.

Construction Material

- Hardened ductile iron impeller and suction cover.
- Double mechanical seals.
- Class F motor insulation.
- Shaft sleeve saves on shaft wear due to abrasives and corrosion.
- Additional lip seal protection keeps impurities and abrasives away from the mechanical seals.
- Thermal overload protection guards against high amperage and high temperature.
- Enhanced cable entry sealing system.

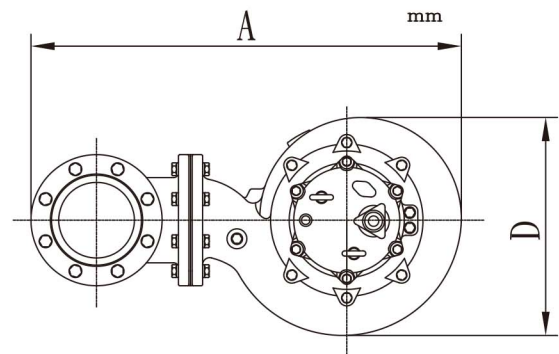
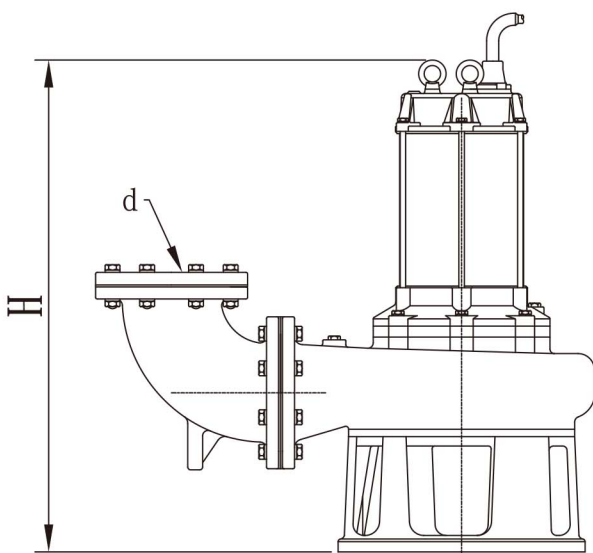
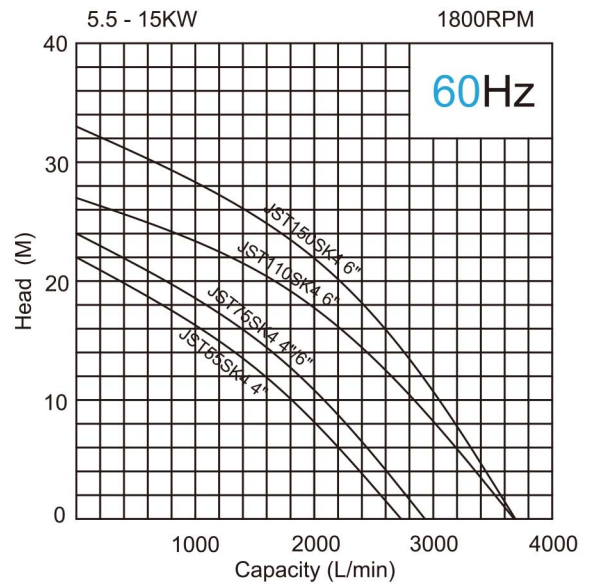
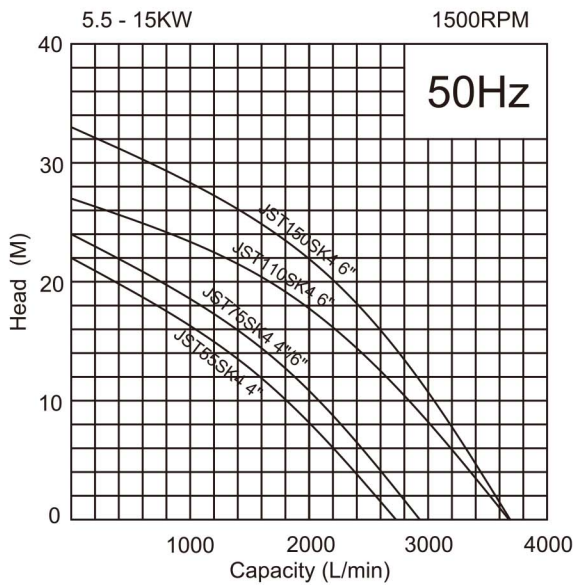


NO.	DESCRIPTION	MATERIAL
01	STRAINER	FCD 400
02	SUCTION COVER	FCD 500
03	NUT	SUS 304
04	WASHER	SUS 304
05	IMPELLER	FCD 400
06	KEY	SUS 304
07	PUMP HOUSING	FC 200
08	COVER OF OIL CHAMBER	FC 200
08-1	ORING	NBR
09	LIP SEAL (LOWER)	NBR
11	PLUGS	SUS 304
13	MECHANICAL SEAL	SIC / CAR
14	BEARING (BOTTOM)	
14-2	NUT	FCD 400
16	MOTOR CASING	SUS 304
17	ROTOR SHAFT	SUS 304
18	STATOR	H-23
20	BEARING (UP)	
20-1	ORING	NBR
21A	MOTOR BOTTOM COVER	FC 200
21A-1	ORING	NBR
23	OVERLOAD PROTECTOR	
26	UPPER COVER	FC 200
26-1	ORING	NBR
27-1	ORING	NBR
27-3	CABLE GLAND COVER	FCD 400
27-4	COMPRESSION NUT	ST
31	CABLE	PVC
34	HANDLE	SUS 304
37	OIL	T-32
38E	ELBOW	FC 200
38F	FLANGE	FC 200



SK4 Performance Curve

Pump Type	Output KW	Output HP	Discharge Inch	Voltage	Max			Cable M	Weight kg
					Head M	Capacity L/Min	Solid mm		
JST55SK4	5.5	7.5	4	3 phase 200V-600V	22	2730	60	10	140
JST75SK4	7.5	10	4 or 6		24	2935	60	10	150
JST110SK4	11	15	6		27.5	3685	50	10	230
JST150SK4	15	20	6		33.5	3690	55	10	245



Dimensions

(mm)

PUMP TYPE	DISCHARGE BORE	PUMP SECTION		
	d	A	D	H
JST55SK4	4"(100)	725	400	745
JST75SK4	4"(100)	725	400	795
JST75SK4	6"(150)	800	400	795
JST110SK4	6"(150)	910	480	900
JST150SK4	6"(150)	910	480	950